

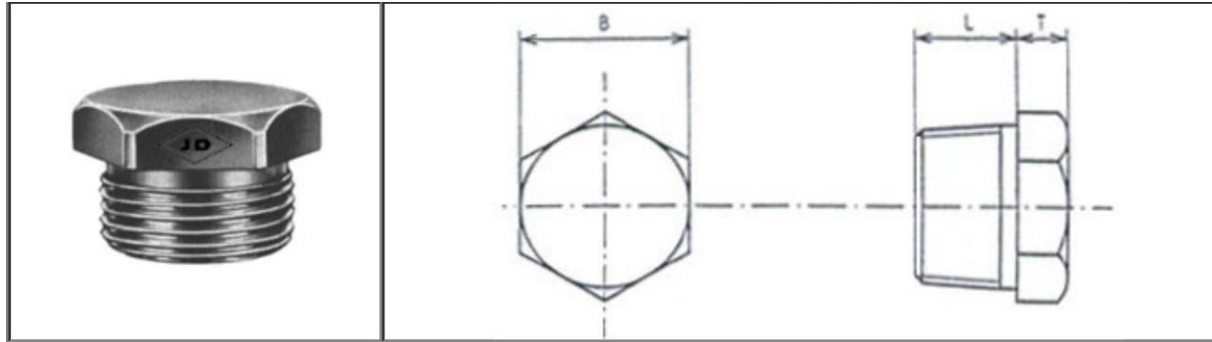
## Hexagonal head plugs



### Hexagonal head plugs EN 10241

\* An "X" combined with green marking: in stock

\* Red marking: 1 or 2 days



Norm. Size		Min. Length of thread mm L	Size of hexagon		Min. height of hexagon mm T	Weight kg/piece	Available in stock	
mm	inch		mm B	mm			Black	Galvanized
6	1/8"	9,5	12,000	6,00	0,03			
8	1/4"	12,5	14,000	6,00	0,03			
10	3/8"	12,5	17,000	8,00	0,04			
15	1/2"	17,5	22,000	8,00	0,07			
20	3/4"	19	27,000	10,00	0,12			
25	1"	21	36,000	10,00	0,24			
32	1"1/4	24	46,000	11,00	0,41			
40	1"1/2	24	50,000	13,00	0,57			
50	2"	27	65,000	14,00	0,74			
65	2"1/2	32	78,000	16,00	1,63			
80	3"	35	90,000	19,00	2,55			
100	4"	40	115,000	22,00	4,74			