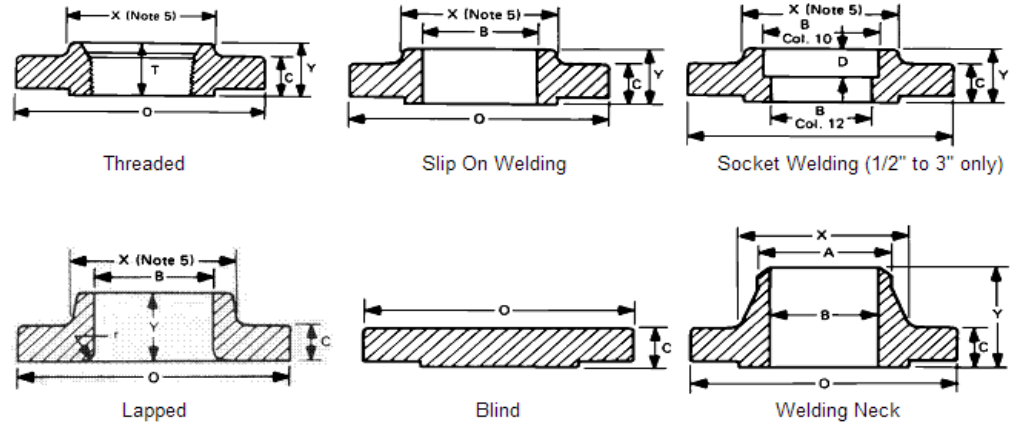


# Dimensions and Flange specifications - 600 Lbs



Dimensions Class 600 acc. to ASME / ANSI B16.5



Dimensions				Length through Hub					Bore					
Normal Pipe Size	Normal Pipe Size	Outside diameter of Flange	Thickness of Flange	Diameter of Hub	Hub diameter Beginning of Chamfer Welding Neck	Threaded Slip on Socket Welding	Lapped	Welding Neck	Thread Length Threaded Flange	Slip on Socket Welding	Lapped	Welding Neck (Std.) Socket Welding	Corner Radius of Bore of Lapped Flange and Pipe	Depth of Socket
mm	inch	O	C	X	A	Y	Y	Y	T	B	B	B	r	D
15	1/2"	95	14,5	38	21,5	22	22	52	16	22	23	To be	3	10
20	3/4"	120	16	48	26,5	25	25	57	16	28	28	Specified	3	11
25	1"	125	17,5	54	33,5	27	27	62	18	34,5	35	by	3	13
32	1-1/4"	135	21	64	42	29	29	67	21	43,5	43,5	purchaser	5	14
40	1-1/2"	155	22,5	70	48,5	32	32	70	22	49,5	50		6	16
50	2"	165	25,5	84	60,5	37	37	73	29	62	62,5		8	17
65	2-1/2"	190	29	100	73	41	41	79	32	74,5	75,5		8	19
80	3"	210	32	117	89	46	46	83	35	90,5	91,5		10	21
-	3-1/2"	230	35	133	101,5	49	49	86	40	103,5	104		10	
100	4"	275	38,5	152	114,5	54	54	102	41	116	117		11	

Dimensions			Length through Hub						Bore					
Normal Pipe Size	Normal Pipe Size	Outside diameter of Flange	Thickness of Flange	Diameter of Hub	Hub diameter Beginning of Chamfer Welding Neck	Threaded Slip on Socket Welding	Lapped	Welding Neck	Thread Length Threaded Flange	Slip on Socket Welding	Lapped	Welding Neck (Std.) Socket Welding	Corner Radius of Bore of Lapped Flange and Pipe	Depth of Socket
mm	inch	O	C	X	A	Y	Y	Y	Min. T	Min. B	Min. B	B	r	D
125	5"	330	44,5	189	141,5	60	60	114	48	143,5	144,5		11	
150	6"	356	48	222	168,5	67	67	117	50	170,5	171,5		13	
200	8"	420	55,5	273	219	76	76	133	57	221,5	222		13	
250	10"	510	63,5	343	273	86	111	152	65	276	277,5		13	
300	12"	560	66,5	400	324	92	117	156	70	327	328		13	
350	14"	605	70	432	355,5	94	127	165	73	359	360		13	
400	16"	685	76,5	495	406,5	106	140	178	78	410,5	411		13	
450	18"	745	83	546	457	117	152	184	79	462	462,5		13	
500	20"	815	89	610	508	127	165	190	82	513	514,5		13	
600	24"	940	102	718	609,5	140	184	203	92	616	616		13	