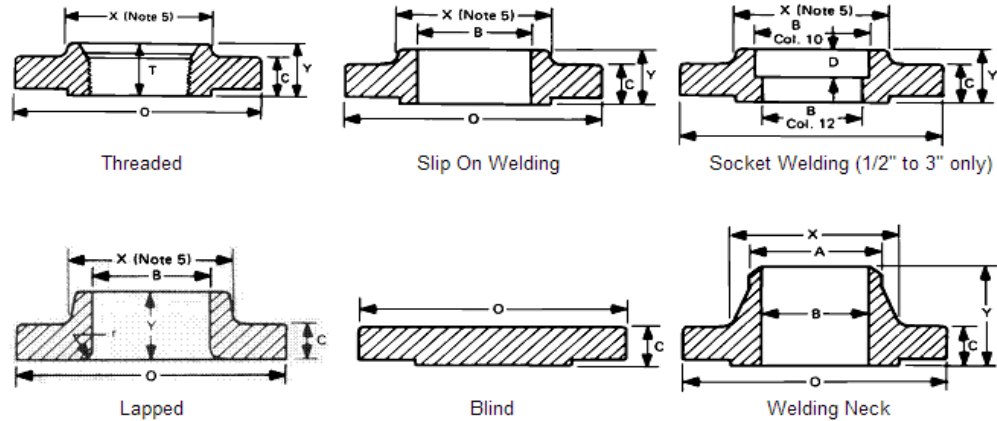


Dimensions and Flange specifications - 300 Lbs



Dimensions Class 300 acc. to ASME / ANSI B16.5



Dimensions				Length through Hub					Bore					
Normal Pipe Size	Normal Pipe Size	Outside diameter of Flange	Thickness of Flange	Diameter of Hub	Hub diameter Beginning of Chamfer Welding Neck	Threaded Slip on Socket Welding	Lapped	Welding Neck	Thread Length Threaded Flange	Slip on Socket Welding	Lapped	Welding Neck (Std.) Socket Welding	Corner Radius of Bore of Lapped Flange and Pipe	Depth of Socket
mm	inch	O	C	X	A	Y	Y	Y	T	B	B	B	r	D
15	1/2"	95	14,5	38	21,5	22	22	52	16	22	23	16	3	10
20	3/4"	120	16	48	26,5	25	25	57	16	28	28	21	3	11
25	1"	125	17,5	54	33,5	27	27	62	18	34,5	35	26,5	3	13
32	1-1/4"	135	19,5	64	42	27	27	65	21	43,5	43,5	35	5	14
40	1-1/2"	155	21	70	48,5	30	30	68	22	49,5	50	41	6	16
50	2"	165	22,5	84	60,5	33	33	70	29	62	62,5	52,5	8	17
65	2-1/2"	190	25,5	100	73	38	38	76	32	74,5	75,5	62,5	8	19
80	3"	210	29	118	89	43	43	79	32	90,5	91,5	78	10	21
-	3-1/2"	230	30,5	133	101,5	44	44	81	37	103,5	104	90	10	
100	4"	255	32	146	114,5	48	48	86	37	116	117	102,5	11	

Dimensions			Length through Hub						Bore					
Normal Pipe Size	Normal Pipe Size	Outside diameter of Flange	Thickness of Flange	Diameter of Hub	Hub diameter Beginning of Chamfer Welding Neck	Threaded Slip on Socket Welding	Lapped	Welding Neck	Thread Length Threaded Flange	Slip on Socket Welding	Lapped	Welding Neck (Std.) Socket Welding	Corner Radius of Bore of Lapped Flange and Pipe	Depth of Socket
mm	inch	O	Min. C	X	A	Y	Y	Y	Min. T	Min. B	Min. B	B	r	D
125	5"	280	35	178	141,5	51	51	98	43	143,5	144,5	128	11	
150	6"	320	37	206	168,5	52	52	98	46	170,5	171,5	154	13	
200	8"	380	41,5	260	219	62	62	111	51	221,5	222	202,5	13	
250	10"	445	48	321	273	67	95	117	56	276	277,5	254,5	13	
300	12"	520	51	375	324	73	102	130	61	327	328	305	13	
350	14"	585	54	426	355,5	76	111	143	64	359	360	To be	13	
400	16"	650	57,5	483	406,5	83	121	146	68	410,5	411	specified	13	
450	18"	710	60,5	533	457	89	130	159	70	462	462,5	by	13	
500	20"	775	63,5	587	508	95	140	162	73	513	514,5	purchaser	13	
600	24"	915	70	702	609,5	106	152	168	83	616	616		13	

