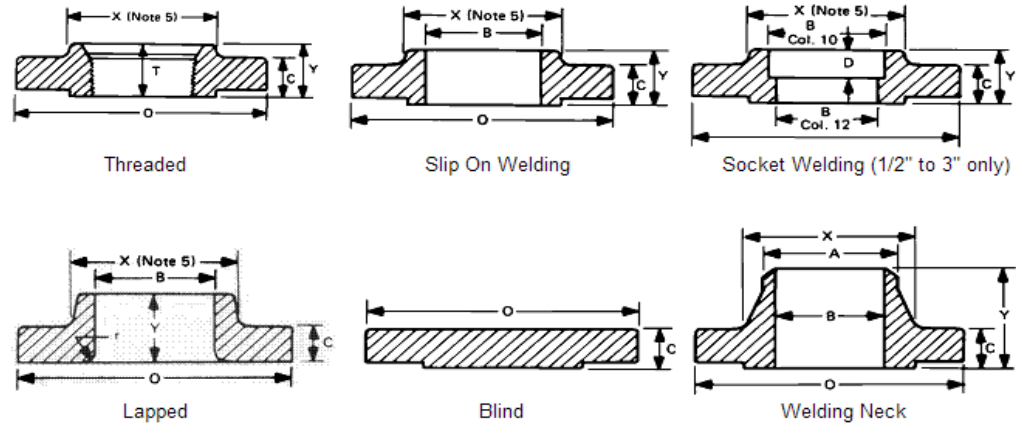


Dimensions and Flange specifications - 150 Lbs



Dimensions Class 150 acc. to ASME / ANSI B16.5

Dimensions				Length through Hub					Bore					
Normal Pipe Size	Normal Pipe Size	Outside diameter of Flange	Thickness of Flange	Diameter of Hub	Hub diameter Beginning of Chamfer Welding Neck	Threaded Slip on Socket Welding	Lapped	Welding Neck	Thread Length Threaded Flange	Slip on Socket Welding	Lapped	Welding Neck (Std.) Socket Welding	Corner Radius of Bore of Lapped Flange and Pipe	Depth of Socket
mm	inch	O	Min. C	X	A	Y	Y	Y	Min. T	Min. B	Min. B	B	r	D
15	1/2"	90	11,5	30	21,5	16	16	48	16	22	23	16	3	10
20	3/4"	100	13	38	26,5	16	16	52	16	28	28	21	3	11
25	1"	110	14,5	49	33,5	17	17	56	18	34,5	35	26,5	3	13
32	1-1/4"	120	16	59	42	21	21	57	21	43,5	43,5	35	5	14
40	1-1/2"	130	17,5	65	48,5	22	22	62	22	49,5	50	41	6	16
50	2"	150	19,5	78	60,5	25	25	64	25	62	62,5	52,5	8	17
65	2-1/2"	180	22,5	90	73	29	29	70	29	74,5	75,5	62,5	8	19
80	3"	190	24	108	89	30	30	70	30	90,5	91,5	78	10	21
-	3-1/2"	215	24	122	101,5	32	32	71	32	103,5	104	90	10	
100	4"	230	24	135	114,5	33	33	76	33	116	117	102,5	11	

Dimensions			Length through Hub						Bore					
Normal Pipe Size	Normal Pipe Size	Outside diameter of Flange	Thickness of Flange	Diameter of Hub	Hub diameter Beginning of Chamfer Welding Neck	Threaded Slip on Socket Welding	Lapped	Welding Neck	Thread Length Threaded Flange	Slip on Socket Welding	Lapped	Welding Neck (Std.) Socket Welding	Corner Radius of Bore of Lapped Flange and Pipe	Depth of Socket
mm	inch	O	C	X	A	Y	Y	Y	T	B	B	B	r	D
125	5"	255	24	164	141,5	36	36	89	37	143,5	144,5	128	11	
150	6"	280	25,5	192	168,5	40	40	89	40	170,5	171,5	154	13	
200	8"	345	29	246	219	44	44	102	44	221,5	222	202,5	13	
250	10"	405	30,5	305	270	49	49	102	49	276	277,5	254,5	13	
300	12"	485	32	365	324	56	56	114	56	327	328	305	13	
350	14"	535	35	400	355,5	57	79	127	57	359	360	To be	13	
400	16"	600	37	457	406,5	64	87	127	64	410,5	411	specified	13	
450	18"	635	40	505	457	68	97	140	68	462	462,5	by	13	
500	20"	700	43	559	508	73	103	145	72	513	514,5	purchaser	13	
600	24"	815	48	664	609,5	83	111	152	80	616	616		13	