

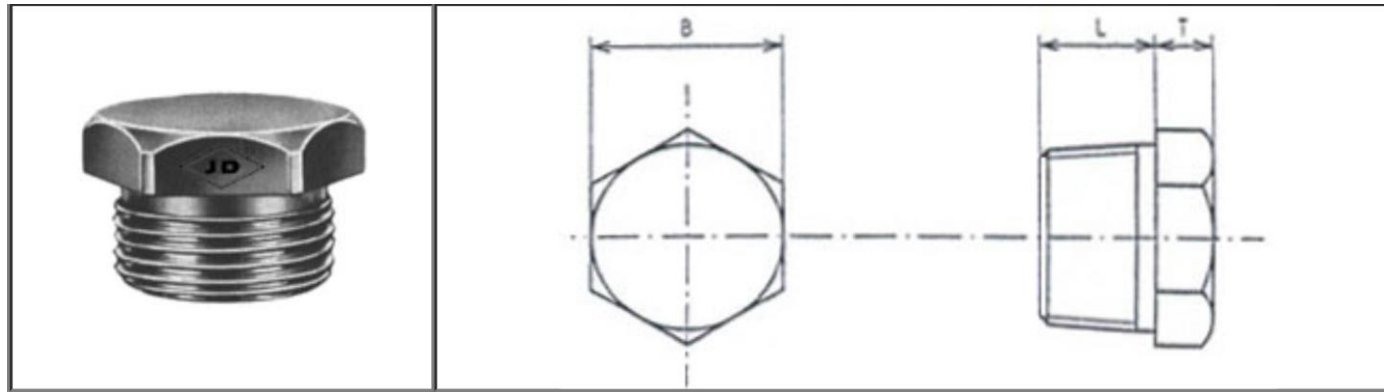
# Hexagonal head plugs



## Hexagonal head plugs EN 10241

\* An "X" combined with green marking: in stock

\* Red marking: 1 or 2 days



Norm. Size		Min. Length of thread mm L	Size of hexagon mm B	Min. height of hexagon mm T	Weight kg/piece	Available in stock	
mm	inch					Black	Galvanized
6	1/8"	9,5	12,000	6,00	0,03		
8	1/4"	12,5	14,000	6,00	0,03		
10	3/8"	12,5	17,000	8,00	0,04		
15	1/2"	17,5	22,000	8,00	0,07		
20	3/4"	19	27,000	10,00	0,12		
25	1"	21	36,000	10,00	0,24		
32	1"1/4	24	46,000	11,00	0,41		
40	1"1/2	24	50,000	13,00	0,57		

50	2"	27	65,000	14,00	0,74	
65	2"1/2	32	78,000	16,00	1,63	
80	3"	35	90,000	19,00	2,55	
100	4"	40	115,000	22,00	4,74	