

Gate valves
DIN flanged ends
Bronze

Bronze Econ® gate valve with bronze wedge and seat, pressure rating PN 4/6/10/16, flat faced flanges acc. to DIN PN 10/16, bolted bonnet, position indicator, inside screwed stem, non-rising stem and handwheel, Face To Face acc. to EN 558-1, 14 (DIN 3202-F4).

Heavy duty construction with flat faced flanges.
A position indicator is a standard feature of the valve.
Possible certification by various classification societies.

Application: especially suitable for use in shipbuilding.

Material specification

Component	Material	EN and/or (DIN)	W.nr.
Body, bonnet and wedge	Bronze	CuSn5Zn5Pb5-C (G-CuSn5Zn5Pb (Rg 5))	2.1096.01
Stem	Brass	CuZn35Ni3Mn2AlPb (CuZn35Ni)	2.0540
Bonnet gasket	Asbestos-free		
Gland packing	Asbestos-free		
Position indicator	Brass	CuZn35Ni3Mn2AlPb (CuZn35Ni)	2.0540

Pressure and temperature range

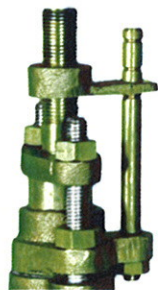
Bore	Pressure and temperature range
DN 40 thru DN 150	16 bar – 100 °C
	11 bar – 225 °C
DN 200	10 bar – 100 °C
	6 bar – 225 °C
DN 250	6 bar – 100 °C
	4 bar – 225 °C
DN 300	4 bar – 100 °C
	2.5 bar – 225 °C

Options

- Low-zinc bronze (Rg10)
- Zinc-free bronze (CuSn10)
- Drain plug
- Non-standard flange drilling
- Electric actuator
- Larger sizes

Ordering information

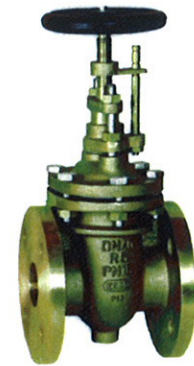
Ordering code	DN [mm]	Pressure rating	Flange bore
1317	40 - 150	PN 16	PN 10/16
1317	200	PN 10	PN 10
1317	250	PN 6	PN 10
1317	300	PN 4	PN 10



Detail position indicator

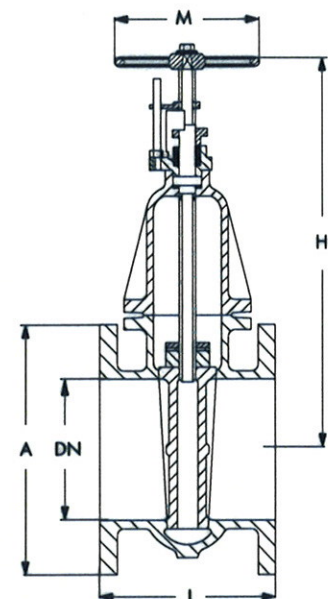
Dimensions

DN	Ø A	H	L	Ø M	Weight
					[kg]
					[mm]
40	150	260	140	140	11.5
50	165	260	150	140	14
65	185	320	170	160	18
80	200	350	180	160	21
100	220	410	190	200	29
125	250	440	200	200	38
150	285	520	210	250	50
200	340	630	230	250	79
250	395	720	250	315	108
300	445	820	270	400	187



**Bolted bonnet
inside screwed stem**
• fig. 1317

- DN 40 - 300
- Pressure rating PN 4 - 16
- Max. 200 °C
- Short Face To Face EN 558-1, 14 (DIN 3202-F4)
- Flat faced flanges
- Position indicator
- Non-rising handwheel
- Bronze wedge and seat
- Certified material



20050421