

# Globe valves, manually operated

## DIN flanges

### Low zinc bronze

Low zinc bronze Econ® globe valves with low-zinc bronze disc and seat, zinc-free bronze stem, pressure rating PN 6 - 10 - 16, straight and angle pattern, flat faced flanges acc. to DIN PN 10/16, bolted bonnet, inside screwed stem and rising handwheel.

Application: these valves offer very good resistance to the corrosive action of seawater, fresh water and waste water, and are mainly applied in CuNiFe pipe systems.

Application area: aboard ships, etc. but also in installations where internal or external corrosion is undesirable.

### Material specification

Component	Material	EN and/or (DIN)	W.nr.
Body, bonnet, disc, gland	low-zinc bronze	-(G-CuSn10Zn (Rg 10))	2.1086.01
Stem	Bronze	-(CuSn8)	2.1030
Bonnet gasket	PTFE		
Gland packing	PTFE		
Handwheel	Cast iron		

### Pressure and temperature range

Bore	Pressure rating	Pressure and temperature range
DN 15 - 150	PN 16	16 bar - 120 °C
		12 bar - 200 °C
DN 200	PN 10	10 bar - 120 °C
		8 bar - 200 °C
DN 250 - 300	PN 6	6 bar - 120 °C

### Options

- Face To Face according to DIN 86260/86261
- Regulating disc
- PTFE disc ring
- Zinc-free bronze
- Larger sizes

### Ordering information

Ordering code	Pattern	Disc type	DN [mm]	Pressure rating
1272	Straight	Fixed disc	15 - 300	PN 6 - 10 - 16
1272LK	Straight	SDNR disc with spring	15 - 300	PN 6 - 10 - 16
1273	Angle	Fixed disc	15 - 300	PN 6 - 10 - 16
1273LK	Angle	SDNR disc with spring	15 - 300	PN 6 - 10 - 16

DN 15 - 150: PN 16, DN 200: PN 10, DN 250 - 300: PN 6



Fig. 1272



Fig. 1273

### Dimensions

DN	A	Pressure rating	L	L1	H	H1	M	Weight	
								Fig. 1272	Fig. 1273
[mm]			[mm]					[kg]	
15	95	PN 16	120	65	166	157	100	4.3	4
20	105	PN 16	120	65	178	175	125	5	5.5
25	115	PN 16	140	70	200	190	125	6	6.2
32	140	PN 16	150	90	215	205	125	8.7	8.4
40	150	PN 16	155	90	235	215	160	10	10
50	165	PN 16	180	105	250	235	160	13.2	12.8
65	185	PN 16	200	115	300	260	160	23	23.2
80	200	PN 16	240	125	305	265	200	31.9	31
100	220	PN 16	270	145	335	285	250	42.8	41
125	250	PN 16	320	170	390	310	250	62	65
150	285	PN 16	370	200	435	340	315	88	89
200	340	PN 10	500	250	620	570	315	136	127
250	395	PN 6	730	325	670	550	400	165	155
300	445	PN 6	850	375	750	620	500	295	225

DN 250 and DN 300 fitted with PN 10 flanges



### Bolted bonnet, outside screw & yoke Metal seated

- fig. 1272
- fig. 1272LK
- fig. 1273
- fig. 1273LK
- Pressure rating PN 6 - 10 - 16
- DN 15 - 300
- Max. 200 °C
- Maritime use
- Straight and angle pattern
- Fixed or SDNR disc
- Low-zinc bronze disc and seat
- Zinc free bronze stem
- Certified material

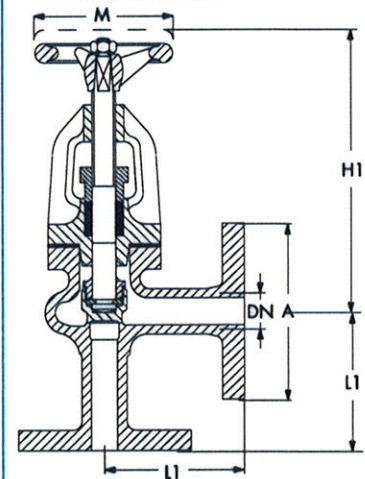


Fig. 1273

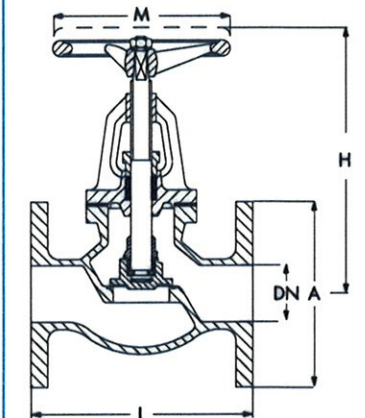


Fig. 1272

20050421