

# Globe valves, manually operated

DIN flanges

Bronze

Bronze Econ® globe valves with bronze disc and seat, pressure rating PN 6/10/16, straight and angle pattern, flat faced flanges according to DIN PN 10/16, bolted bonnet, outside screw & yoke. Heavy pattern for ship building industry  
Application: the valves offer good resistance to corrosive action of seawater, fresh water and waste water.

Application area: aboard ships, etc. but also in installations where internal or external corrosion is undesirable.

## Material specification

| Component                    | Material        | EN and/or (DIN)                    | W.nr.     |
|------------------------------|-----------------|------------------------------------|-----------|
| Body, bonnet, disc           | Bronze          | CuSn5Zn5Pb5-C (G-CuSn5ZnPb (Rg 5)) | 2.1096.01 |
| Stem                         | Brass           | CuZn35Ni3Mn2AlPb (CuZn35Ni)        | 2.0540    |
| Stud bolts, nuts             | Stainless steel |                                    |           |
| Bonnet gasket, gland packing | Graphite        |                                    |           |
| Handwheel                    | Cast iron       |                                    |           |

## Pressure and temperature range

| Bore         | Pressure rating | Pressure and temperature range |
|--------------|-----------------|--------------------------------|
| DN 15 - 150  | PN 16           | 16 bar - 120 °C                |
|              |                 | 12 bar - 200 °C                |
| DN 200       | PN 10           | 10 bar - 120 °C                |
|              |                 | 8 bar - 200 °C                 |
| DN 250 - 300 | PN 6            | 6 bar - 120 °C                 |

## Options

- Face To Face according to DIN 86260 / 86261
- Low zinc bronze (Fig. 1272 / 1273)
- Zinc-free bronze
- Full aluminium construction (Fig. 1270LM and 1271LM)
- Larger sizes

## Ordering information

| Ordering code | Pattern  | Disc type  | DN [mm]  | Pressure rating |
|---------------|----------|------------|----------|-----------------|
| 1270          | Straight | Fixed disc | 15 - 300 | PN 6 - 10 - 16  |
| 1270LK        | Straight | SNDR disc  | 15 - 300 | PN 6 - 10 - 16  |
| 1271          | Angle    | Fixed disc | 15 - 300 | PN 6 - 10 - 16  |
| 1271LK        | Angle    | SNDR disc  | 15 - 300 | PN 6 - 10 - 16  |

DN 15 - 150: PN 16, DN 200: PN 10, DN 250 - 300: PN 6



Fig. 1270



Fig. 1271

## Dimensions

| DN   | Pressure rating | A    | L   | L1  | H   | H1  | M   | Weight    |           |
|------|-----------------|------|-----|-----|-----|-----|-----|-----------|-----------|
|      |                 |      |     |     |     |     |     | Fig. 1270 | Fig. 1271 |
| [mm] |                 | [mm] |     |     |     |     |     | [kg]      |           |
| 15   | PN 16           | 95   | 120 | 65  | 175 | 175 | 100 | 4.3       | 4         |
| 20   | PN 16           | 105  | 120 | 65  | 175 | 175 | 100 | 5         | 5.5       |
| 25   | PN 16           | 115  | 140 | 70  | 178 | 178 | 125 | 6         | 6.2       |
| 32   | PN 16           | 140  | 150 | 90  | 200 | 200 | 125 | 8.7       | 8.4       |
| 40   | PN 16           | 150  | 155 | 90  | 220 | 220 | 140 | 10        | 10        |
| 50   | PN 16           | 165  | 180 | 105 | 250 | 250 | 140 | 13.2      | 12.8      |
| 65   | PN 16           | 185  | 200 | 115 | 260 | 260 | 140 | 23        | 23.2      |
| 80   | PN 16           | 200  | 240 | 125 | 300 | 300 | 180 | 31.9      | 31        |
| 100  | PN 16           | 220  | 270 | 145 | 350 | 350 | 200 | 42.8      | 41        |
| 125  | PN 16           | 250  | 320 | 170 | 380 | 380 | 220 | 62        | 65        |
| 150  | PN 16           | 285  | 370 | 200 | 440 | 440 | 280 | 88        | 89        |
| 200  | PN 10           | 340  | 500 | 250 | 620 | 570 | 315 | 136       | 127       |
| 250  | PN 6            | 395  | 730 | 325 | 670 | 550 | 400 | 165       | 155       |
| 300  | PN 6            | 445  | 850 | 375 | 750 | 620 | 400 | 295       | 225       |

DN 250 and DN 300 fitted with PN 10 flanges



**Bolted bonnet, outside screw & yoke  
Metal seated**

- fig. 1270
- fig. 1270LK
- fig. 1271
- fig. 1271LK
- Pressure rating PN 6 - 10 - 16
- DN 15 - 300
- Max. 200 °C
- Maritime use
- Straight and angle pattern
- Fixed or SNDR disc
- Bronze disc and seat
- Certified material

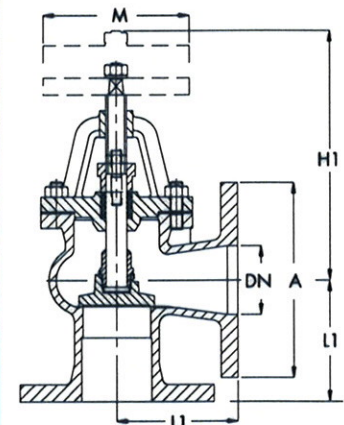


Fig. 1271

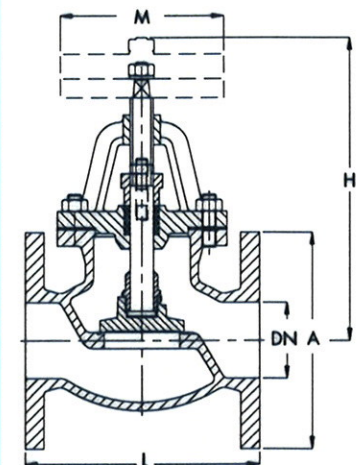


Fig. 1270

20050421