

Globe valves, manually operated

DIN flanges

Cast iron

Cast iron Econ® globe valves with low-zinc bronze seat, pressure rating PN 16, straight and angle pattern, flanged ends acc. to DIN PN 10/16. Outside screw & yoke and rising handwheel.

Application: Aboard ships for hot and cold water, oil, air, steam etc.

Material specification

Component	Material	EN and/or (DIN)	W.nr.
Body, bonnet and gland	Cast iron	GJL-250 (GG-25)	0.6025
Disc, seat	low-zinc bronze	- (G-CuSn10Zn (Rg 10))	2.1086.01
Stem	Brass	- (CuZn41Pb62)	2.0406
Gland packing	Graphite		
Body gasket (SS insert)	Graphite		
Handwheel	Cast iron		

Pressure and temperature range

	-10/120 °C	150 °C	180 °C	200 °C	225 °C	230 °C	250 °C	300 °C	
PN 16	16	14.4	13.4	12.8	12	-	-	-	[bar]

Options

- Regulating disc and position indicator
- Balanced disc
- Flanges drilled acc. to DIN PN 10

Ordering information

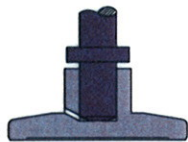
Ordering code	Pattern	Disc type	DN [mm]	Pressure rating
268	Straight	Fixed disc	15 - 300	PN 16
268LK	Straight	SNDR disc	15 - 300	PN 16
268RK	Straight	Regulating disc	15 - 300	PN 16
269	Angle	Fixed disc	15 - 300	PN 16
269LK	Angle	SNDR disc	15 - 300	PN 16
269RK	Angle	Regulating disc	15 - 300	PN 16



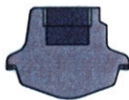
Fig. 268



Fig. 269



S.D.N.R. disc
Fig.268LK/269LK



Regulating disc
Fig.268RK/269RK

Dimensions

DN	A	L	L1	H	H1	M	Weight		Kv value	
							Fig. 268	Fig. 269	Fig. 268	Fig. 269
[mm]							[kg]			
15	95	130	90	172	168	100	3.3	3.1	5.9	7.2
20	105	150	95	173	166	100	3.9	3.5	7.4	9.2
25	115	160	100	182	180	120	5	4.8	13	16
32	140	180	105	200	187	120	6.6	6.6	18	22
40	150	200	115	255	234	160	8.4	8.7	30	37
50	165	230	125	273	236	160	12	11.8	41	51
65	185	290	145	295	271	180	17.3	14	79	98.5
80	200	310	155	332	291	200	22.7	20.5	115	143
100	220	350	175	369	332	250	35.8	32.2	181	226
125	250	400	200	432	387	250	52.8	46	225	281
150	285	480	225	483	437	320	74.2	62	364	455
200	340	600	275	606	532	360	126	106	690	860
250	395	730	325	758	651	360	200		1010	1260
300	445	850	375	830	830	500	315			



Pressure rating PN 16 Bronze trim

- fig. 268
- fig. 268LK
- fig. 268RK
- fig. 269
- fig. 269LK
- fig. 269RK
- DN 15 - 300
- Max. 225 °C
- Maritime use
- Face To Face EN 558-1, 1 (DIN 3202 F1)
- Straight and angle pattern
- Fixed, screw-down non-return or regulating disc

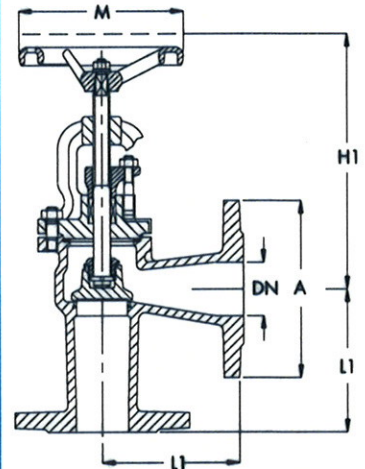


Fig. 269

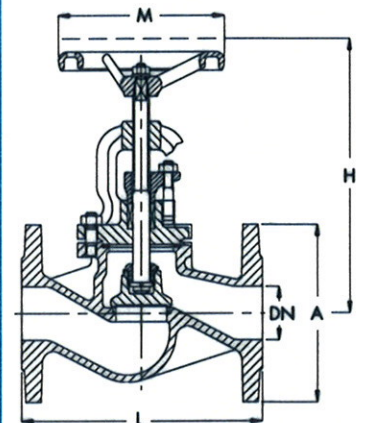


Fig. 268